



GCG 18V-600 Professional HEAVY DUTY

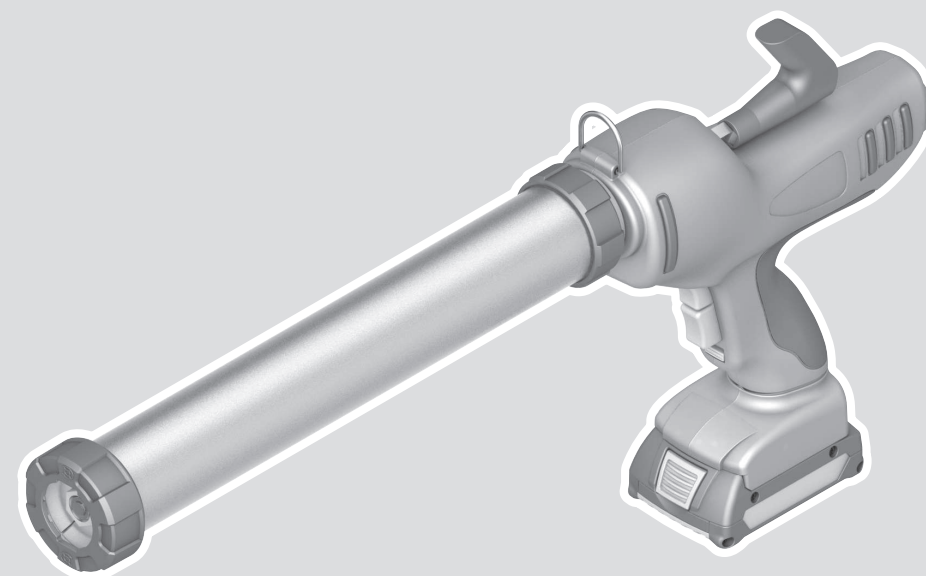
Robert Bosch Power Tools GmbH
70538 Stuttgart
GERMANY

www.bosch-pt.com

1 609 92A 87Y (2022.09) T / 15

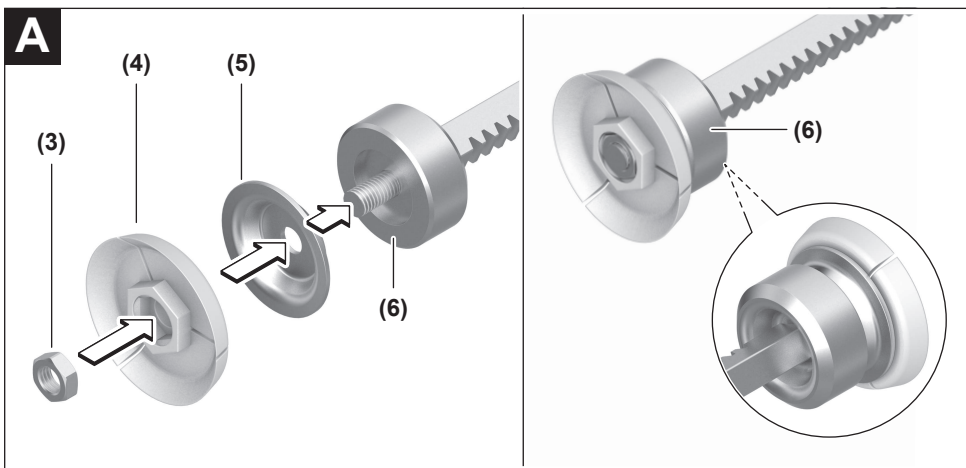
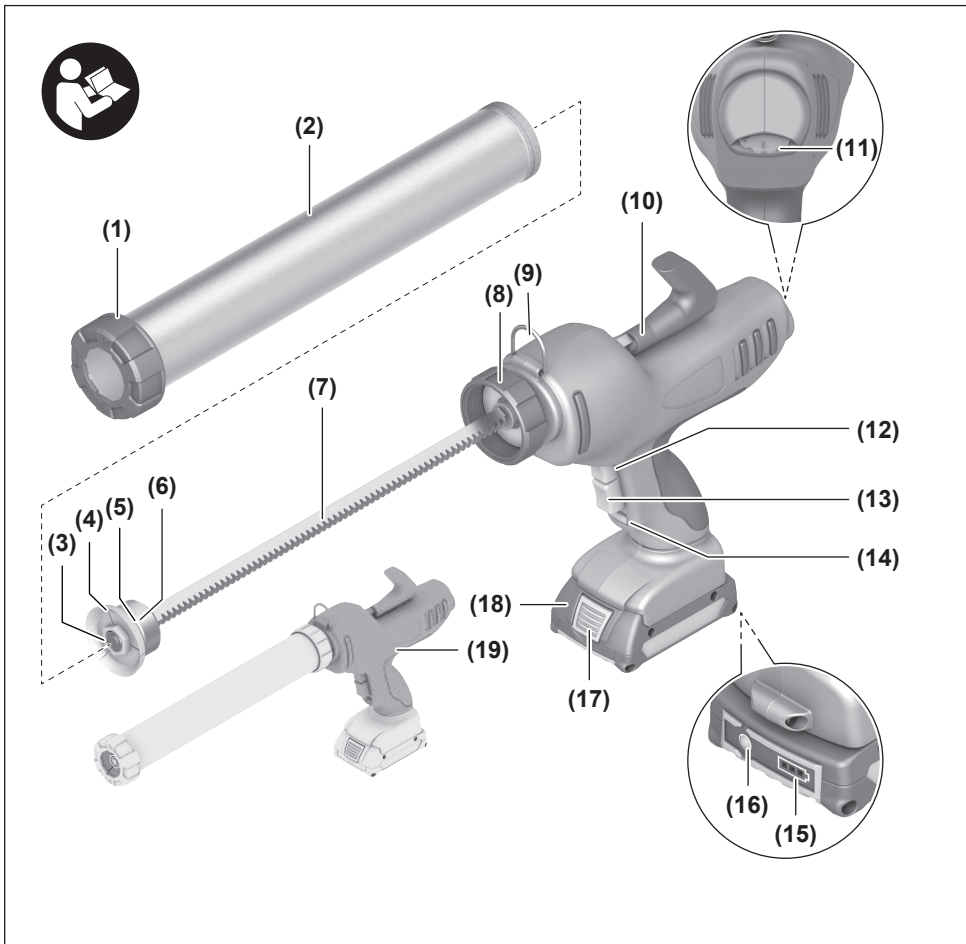


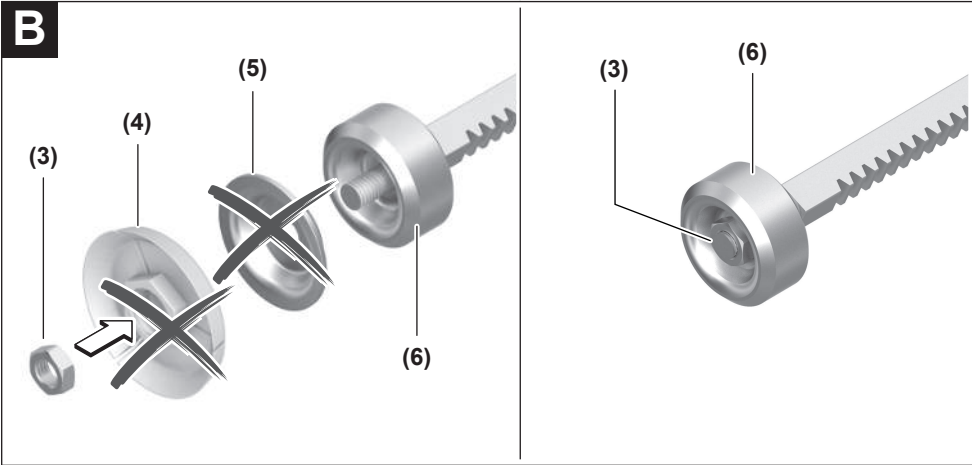
1 609 92A 87Y



en Original instructions







English

Safety Instructions

General Power Tool Safety Warnings

⚠ WARNING Read all safety warnings, instructions, illustrations and specifications provided with this power tool. Failure to follow all instructions listed below may result in electric shock, fire and/or serious injury.

Save all warnings and instructions for future reference.

The term "power tool" in the warnings refers to your mains-operated (corded) power tool or battery-operated (cordless) power tool.

Work area safety

- ▶ **Keep work area clean and well lit.** Cluttered or dark areas invite accidents.
- ▶ **Do not operate power tools in explosive atmospheres, such as in the presence of flammable liquids, gases or dust.** Power tools create sparks which may ignite the dust or fumes.
- ▶ **Keep children and bystanders away while operating a power tool.** Distractions can cause you to lose control.

Electrical safety

- ▶ **Power tool plugs must match the outlet. Never modify the plug in any way. Do not use any adapter plugs with earthed (grounded) power tools.** Unmodified plugs and matching outlets will reduce risk of electric shock.
- ▶ **Avoid body contact with earthed or grounded surfaces, such as pipes, radiators, ranges and refrigerators.** There is an increased risk of electric shock if your body is earthed or grounded.
- ▶ **Do not expose power tools to rain or wet conditions.** Water entering a power tool will increase the risk of electric shock.
- ▶ **Do not abuse the cord. Never use the cord for carrying, pulling or unplugging the power tool. Keep cord away from heat, oil, sharp edges or moving parts.** Damaged or entangled cords increase the risk of electric shock.
- ▶ **When operating a power tool outdoors, use an extension cord suitable for outdoor use.** Use of a cord suitable for outdoor use reduces the risk of electric shock.
- ▶ **If operating a power tool in a damp location is unavoidable, use a residual current device (RCD) protected supply.** Use of an RCD reduces the risk of electric shock.

Personal safety

- ▶ **Stay alert, watch what you are doing and use common sense when operating a power tool. Do not use a power tool while you are tired or under the influence of drugs, alcohol or medication.** A moment of inatten-

tion while operating power tools may result in serious personal injury.

- ▶ **Use personal protective equipment. Always wear eye protection.** Protective equipment such as a dust mask, non-skid safety shoes, hard hat or hearing protection used for appropriate conditions will reduce personal injuries.
- ▶ **Prevent unintentional starting. Ensure the switch is in the off-position before connecting to power source and/or battery pack, picking up or carrying the tool.** Carrying power tools with your finger on the switch or energising power tools that have the switch on invites accidents.
- ▶ **Remove any adjusting key or wrench before turning the power tool on.** A wrench or a key left attached to a rotating part of the power tool may result in personal injury.
- ▶ **Do not overreach. Keep proper footing and balance at all times.** This enables better control of the power tool in unexpected situations.
- ▶ **Dress properly. Do not wear loose clothing or jewellery. Keep your hair and clothing away from moving parts.** Loose clothes, jewellery or long hair can be caught in moving parts.
- ▶ **If devices are provided for the connection of dust extraction and collection facilities, ensure these are connected and properly used.** Use of dust collection can reduce dust-related hazards.
- ▶ **Do not let familiarity gained from frequent use of tools allow you to become complacent and ignore tool safety principles.** A careless action can cause severe injury within a fraction of a second.

Power tool use and care

- ▶ **Do not force the power tool. Use the correct power tool for your application.** The correct power tool will do the job better and safer at the rate for which it was designed.
- ▶ **Do not use the power tool if the switch does not turn it on and off.** Any power tool that cannot be controlled with the switch is dangerous and must be repaired.
- ▶ **Disconnect the plug from the power source and/or remove the battery pack, if detachable, from the power tool before making any adjustments, changing accessories, or storing power tools.** Such preventive safety measures reduce the risk of starting the power tool accidentally.
- ▶ **Store idle power tools out of the reach of children and do not allow persons unfamiliar with the power tool or these instructions to operate the power tool.** Power tools are dangerous in the hands of untrained users.
- ▶ **Maintain power tools and accessories. Check for misalignment or binding of moving parts, breakage of parts and any other condition that may affect the power tool's operation. If damaged, have the power tool repaired before use.** Many accidents are caused by poorly maintained power tools.

- ▶ **Keep cutting tools sharp and clean.** Properly maintained cutting tools with sharp cutting edges are less likely to bind and are easier to control.
- ▶ **Use the power tool, accessories and tool bits etc. in accordance with these instructions, taking into account the working conditions and the work to be performed.** Use of the power tool for operations different from those intended could result in a hazardous situation.
- ▶ **Keep handles and grasping surfaces dry, clean and free from oil and grease.** Slippery handles and grasping surfaces do not allow for safe handling and control of the tool in unexpected situations.

Battery tool use and care

- ▶ **Recharge only with the charger specified by the manufacturer.** A charger that is suitable for one type of battery pack may create a risk of fire when used with another battery pack.
- ▶ **Use power tools only with specifically designated battery packs.** Use of any other battery packs may create a risk of injury and fire.
- ▶ **When battery pack is not in use, keep it away from other metal objects, like paper clips, coins, keys, nails, screws or other small metal objects, that can make a connection from one terminal to another.** Shorting the battery terminals together may cause burns or a fire.
- ▶ **Under abusive conditions, liquid may be ejected from the battery; avoid contact. If contact accidentally occurs, flush with water. If liquid contacts eyes, additionally seek medical help.** Liquid ejected from the battery may cause irritation or burns.
- ▶ **Do not use a battery pack or tool that is damaged or modified.** Damaged or modified batteries may exhibit unpredictable behaviour resulting in fire, explosion or risk of injury.
- ▶ **Do not expose a battery pack or tool to fire or excessive temperature.** Exposure to fire or temperature above 130°C may cause explosion.
- ▶ **Follow all charging instructions and do not charge the battery pack or tool outside the temperature range specified in the instructions.** Charging improperly or at temperatures outside the specified range may damage the battery and increase the risk of fire.

Service

- ▶ **Have your power tool serviced by a qualified repair person using only identical replacement parts.** This will ensure that the safety of the power tool is maintained.
- ▶ **Never service damaged battery packs.** Service of battery packs should only be performed by the manufacturer or authorized service providers.

Safety Instructions for Cordless Caulking Guns

- ▶ **Do not continue to press the On/Off switch after the caulking gun has been automatically switched off.** This can damage the battery.

- ▶ **When working with the cordless caulking gun, use the personal protective equipment recommended by the manufacturer of the consumable.** You can find information about this in the safety data sheet for the consumable. Always wear safety goggles and gloves that are suitable for handling chemical substances. Depending on the material, further protective measures may be necessary.
- ▶ **This power tool may only be used to dispense sealants and adhesives from standard sachets (foil bags) and cartridges.** Dispensing other types of materials or using customer-specific packaging systems is strictly prohibited.
- ▶ **When working with volatile or hazardous substances, ensure that the workplace is sufficiently ventilated and that suitable breathing apparatus is worn if necessary.**
- ▶ **Ensure that the sachets (foil bags) and cartridges are the right size for this power tool.** Ensure that the sachets (foil bags) and cartridges fit well in the barrel for sachets (foil bags)/cartridges and that this barrel is securely attached to the power tool. Only then should you begin to dispense material.
- ▶ **Never try to dispense material from an incorrectly aligned or blocked cartridge.**
- ▶ **To prevent hazards caused by parts flying around, ensure that the power tool is never operated with loose front barrel caps.** If the dispensing nozzle becomes blocked during use, you must replace it.
- ▶ **Never point the power tool at yourself or anyone else during use.**
- ▶ **In case of damage and improper use of the battery, vapours may be emitted. The battery can set alight or explode.** Ensure the area is well ventilated and seek medical attention should you experience any adverse effects. The vapours may irritate the respiratory system.
- ▶ **Do not open the battery.** There is a risk of short-circuiting.
- ▶ **The battery can be damaged by pointed objects such as nails or screwdrivers or by force applied externally.** An internal short circuit may occur, causing the battery to burn, smoke, explode or overheat.
- ▶ **Only use the battery in the manufacturer's products.** This is the only way in which you can protect the battery against dangerous overload.



Protect the battery against heat, e.g. against continuous intense sunlight, fire, dirt, water and moisture. There is a risk of explosion and short-circuiting.



Product Description and Specifications



Read all the safety and general instructions. Failure to observe the safety and general instructions may result in electric shock, fire and/or serious injury.

Please observe the illustrations at the beginning of this operating manual.

Intended Use

The caulking gun is suitable for applying sealants and adhesive compounds of various viscosities to dry surfaces that are free from dust and grease or for filling joints with the material used. The caulking gun can also be used outdoors in areas protected against splashing water.

Product Features

The numbering of the product features refers to the diagram of the power tool on the graphics page.

- (1) Front barrel cap
- (2) Barrel for sachets (foil bags)/cartridges
- (3) Clamping nut
- (4) Plastic plunger for sachets (foil bags)
- (5) Metal plunger for sachets (foil bags)
- (6) Aluminium press
- (7) Rack
- (8) Rear barrel cap
- (9) Bracket for the shoulder strap
- (10) Rack pull
- (11) Feed rate thumbwheel
- (12) Rack release
- (13) On/off switch
- (14) Locking mechanism
- (15) Battery charge indicator^{a)}
- (16) Button for rechargeable battery charge indicator^{a)}
- (17) Rechargeable battery release button^{a)}
- (18) Rechargeable battery^{a)}
- (19) Handle (insulated gripping surface)

a) **Accessories shown or described are not included with the product as standard. You can find the complete selection of accessories in our accessories range.**

Technical Data

Cordless caulking gun		GCG 18V-600
Article number		3 601 JC4 0..
Rated voltage	V=	18
Cartridge	ml	up to 400
Sachet (foil bag)	ml	up to 600
Feed ^{A)}	mm/s	7
Extrusion force	kN	3.5
Weight according to EPTA-Procedure 01:2014		
– With rechargeable battery	kg	2.6–3.6 ^{B)}
– Without battery	kg	2.2
Dimensions (length × width × height)	mm	635 × 255 × 80

Cordless caulking gun		GCG 18V-600
Recommended ambient temperature during charging	°C	0 to +35
Permitted ambient temperature during operation ^{C)} and during storage	°C	–15 to +50
Recommended rechargeable batteries		GBA 18V... ProCORE18V...
Recommended chargers		GAL 18... GAX 18... GAL 36...

A) no load with highest thumbwheel setting, at 20–25°C

B) Depends on battery in use

C) Limited performance at temperatures < 0°C

Noise/Vibration Information

Noise emission values determined according to **EN 62841-1**.

Typically the A-weighted sound pressure level of the product is less than 70 dB(A). The noise level when working can exceed the declared values. **Wear hearing protection!**

Total vibration values a_h (triax vector sum) and uncertainty K determined according to **EN 62841-1**: $a_h < 2.5 \text{ m/s}^2$, $K = 1.5 \text{ m/s}^2$.

The vibration level and noise emission value given in these instructions have been measured in accordance with a standardised measuring procedure and may be used to compare power tools. They may also be used for a preliminary estimation of vibration and noise emissions.

The stated vibration level and noise emission value represent the main applications of the power tool. However, if the power tool is used for other applications, with different application tools or is poorly maintained, the vibration level and noise emission value may differ. This may significantly increase the vibration and noise emissions over the total working period.

To estimate vibration and noise emissions accurately, the times when the tool is switched off or when it is running but not actually being used should also be taken into account. This may significantly reduce vibration and noise emissions over the total working period.

Implement additional safety measures to protect the operator from the effects of vibration, such as servicing the power tool and application tools, keeping their hands warm, and organising workflows correctly.

Rechargeable battery

Bosch sells some cordless power tools without a rechargeable battery. You can tell whether a rechargeable battery is included with the power tool by looking at the packaging.

Charging the battery

- **Use only the chargers listed in the technical data.** Only these chargers are matched to the lithium-ion battery of your power tool.

Note: Lithium-ion rechargeable batteries are supplied partially charged according to international transport regulations. To ensure full rechargeable battery capacity, fully charge the rechargeable battery before using your tool for the first time.

Inserting the Battery

Push the charged battery into the battery holder until it clicks into place.



Removing the Battery

To remove the rechargeable battery, press the battery release button and pull the battery out. **Do not use force to do this.**

The rechargeable battery has two locking levels to prevent the battery from falling out if the battery release button is pressed unintentionally. The rechargeable battery is held in place by a spring when fitted in the power tool.

Battery charge indicator

The green LEDs on the battery charge indicator indicate the state of charge of the battery. For safety reasons, it is only possible to check the state of charge when the power tool is not in operation.

Press the button for the battery charge indicator  or  to show the state of charge. This is also possible when the battery is removed.

If no LED lights up after pressing the button for the battery charge indicator, then the battery is defective and must be replaced.

Battery model GBA 18V...



LED	Capacity
3 × continuous green light	60–100 %
2 × continuous green light	30–60 %
1 × continuous green light	5–30 %
1 × flashing green light	0–5 %

Battery model ProCORE18V...



LED	Capacity
5 × continuous green light	80–100 %
4 × continuous green light	60–80 %
3 × continuous green light	40–60 %
2 × continuous green light	20–40 %

LED	Capacity
1 × continuous green light	5–20 %
1 × flashing green light	0–5 %

Recommendations for Optimal Handling of the Battery

Protect the battery against moisture and water.

Only store the battery within a temperature range of –20 to 50 °C. Do not leave the battery in your car in the summer, for example.

Occasionally clean the ventilation slots on the battery using a soft brush that is clean and dry.

A significantly reduced operating time after charging indicates that the battery has deteriorated and must be replaced. Follow the instructions on correct disposal.

Assembly

Inserting the sachet (foil bag)

- **Remove the battery before carrying out any work on the power tool.**
- **When screwing the barrel for sachets (foil bags)/cartridges into the caulking gun, ensure that the barrel for sachets (foil bags)/cartridges is actually being turned into the thread.** Use your other hand to keep a firm hold of the rear barrel cap when screwing in the barrel for sachets (foil bags)/cartridges.

The caulking gun is provided for use with sachets (foil bags) as standard. In this case, no conversion is necessary for initial use.

When using the caulking gun **for the first time**, or if a sachet (foil bag) has been used previously, ensure that the plastic plunger (4) and metal plunger (5) are installed. Proceed as follows:

- Unscrew the front barrel cap (1) from the barrel for sachets (foil bags)/cartridges (2).
- Unlock the rack (7) using the rack release (12) and pull the rack backwards.
- Cut open the front side of the sachet (foil bag) and push the sachet (foil bag) into the barrel for sachets (foil bags)/cartridges.
- Position a suitable dispensing nozzle in front of the sachet (foil bag) and seal the barrel for sachets (foil bags)/cartridges (2) with the front barrel cap (1).
- Carefully slide the unlocked rack forwards until the plastic plunger (4) comes into contact with the sachet (foil bag).
- If necessary, cut the dispensing nozzle to size, so that it ideally meets your requirements.

If the caulking gun has been used previously with a cartridge, proceed as follows (see figure A):

- Unlock the rack (7) using the rack release (12) and pull the rack backwards.
- Unscrew the barrel for sachets (foil bags)/cartridges (2) from the caulking gun.

- Remove the aluminium press (6), turn it 180° (domed side is now facing the back) and replace it.
- First place the metal plunger (5), then the plastic plunger (4), onto the aluminium press (6). Screw the clamping nut (3) onto the thread and tighten.
- Screw the barrel for sachets (foil bags)/cartridges (2) onto the caulking gun. When doing so, hold the rear barrel cap (8) in place.
- Unscrew the front barrel cap (1) from the barrel for sachets (foil bags)/cartridges (2).
- Cut open the front side of the sachet (foil bag) and push the sachet (foil bag) into the barrel for sachets (foil bags)/cartridges (2).
- Position a suitable dispensing nozzle in front of the sachet (foil bag) and seal the barrel for sachets (foil bags)/cartridges (2) with the front barrel cap (1).
- Carefully slide the unlocked rack forwards until the plastic plunger (4) comes into contact with the sachet (foil bag).
- If necessary, cut the dispensing nozzle to size, so that it ideally meets your requirements.

Inserting the Cartridge

If the caulking gun has been used previously with a cartridge, proceed as follows:

- Unlock the rack (7) using the rack release (12) and pull the rack backwards.
- Unscrew the front barrel cap (1) from the barrel for sachets (foil bags)/cartridges (2).
- Cut open the front side of the cartridge and screw on a dispensing nozzle.
- Insert the cartridge and seal the barrel for sachets (foil bags)/cartridges (2) with the front barrel cap (1).
- Carefully slide the unlocked rack forwards until the aluminium press (6) comes into contact with the cartridge.
- If necessary, cut the dispensing nozzle to size, so that it ideally meets your requirements.

If the caulking gun has been used previously with a sachet (foil bag), proceed as follows (see figure B):

- Unlock the rack (7) using the rack release (12) and pull the rack backwards.
- Unscrew the barrel for sachets (foil bags)/cartridges (2) from the caulking gun.
- Remove the plastic plunger (4) and the metal plunger (5) by twisting off the plastic plunger.
- Remove the aluminium press (6), turn it 180° (domed side is now facing inwards) and replace it. Secure the aluminium press (6) using the clamping nut (3).
- Screw the barrel for sachets (foil bags)/cartridges (2) onto the caulking gun. When doing so, hold the rear barrel cap (8) in place.
- Unscrew the front barrel cap (1) from the barrel for sachets (foil bags)/cartridges (2).
- Cut open the front side of the cartridge and screw on a dispensing nozzle.

- Insert the cartridge and seal the barrel for sachets (foil bags)/cartridges (2) with the front barrel cap (1).
- Carefully slide the unlocked rack forwards until the aluminium press (6) comes into contact with the cartridge.
- If necessary, cut the dispensing nozzle to size, so that it ideally meets your requirements.

Operation

Starting Operation

Adjusting the Feed Rate

You can adjust the feed rate of the rack (7) by pressing in the on/off switch (13) to varying extents.

You can preselect the maximum feed rate of the rack (7) with the feed rate thumbwheel (11). High values mean a high feed rate, low values mean a low feed rate. You can change the preselected value during operation.

The amount of material squeezed out also depends on the size of the dispensing nozzle opening.

Switching On and Off

To **switch on** the caulking gun, push the lock (14) down. Then press the on/off switch (13).

To **switch off** the caulking gun, release the on/off switch (13). The rack (7) moves immediately into the park position, in order to prevent further squeezing of the material.

If the on/off switch (13) is pressed again within approximately 10 s of switching off, the rack (7) moves to the last working position at maximum speed. If this position is achieved, the feed is adapted again to the adjusted feed rate.

To **lock** the on/off switch (13) against unintentional switching on, push the lock (14) up.

Temperature-dependent Overload Protection

If the permissible temperature is exceeded, the caulking gun switches off. Let the caulking gun cool down and then switch the caulking gun back on.

Working Advice

- ▶ **Comply with the manufacturer's instructions regarding the material to be applied.** Certain materials can only be used within a certain temperature range or can only be applied to specific surfaces.
- ▶ **Open and use the cartridges and sachets (foil bags) in accordance with the manufacturer's specifications.**
- ▶ **Only trim the nozzle if the material is securely within the barrel for sachets (foil bags)/cartridges.**
- ▶ **The bracket for the shoulder strap does not act as fall protection.** Use the bracket (9) for the shoulder strap only to attach a shoulder strap.

Adjust the feed rate to ensure a smooth and consistent application of material in one application.

Ensure that the surface onto which the material is to be applied is clean, dry and free from grease.

Maintenance and Service

Maintenance and Cleaning

- ▶ **Remove the battery from the power tool before carrying out work on the power tool (e.g. maintenance, changing tool, etc.). The battery should also be removed for transport and storage.** There is risk of injury from unintentionally pressing the on/off switch.
- ▶ **To ensure safe and efficient operation, always keep the power tool and the ventilation slots clean.**

Clean the front barrel cap, the dispensing nozzles, the barrel for sachets (foil bags)/cartridges and the rack with the plungers thoroughly after each use in accordance with the specifications provided by the manufacturer of the consumable. The battery and the handle can be cleaned using a damp cloth.

The caulking gun is maintenance-free and does not contain any parts that need to be replaced or maintained.

After-Sales Service and Application Service

Our after-sales service responds to your questions concerning maintenance and repair of your product as well as spare parts. You can find explosion drawings and information on spare parts at: www.bosch-pt.com

The Bosch product use advice team will be happy to help you with any questions about our products and their accessories.

In all correspondence and spare parts orders, please always include the 10-digit article number given on the nameplate of the product.

Great Britain

Robert Bosch Ltd. (B.S.C.)
P.O. Box 98
Broadwater Park
North Orbital Road
Denham Uxbridge
UB 9 5HJ

At www.bosch-pt.co.uk you can order spare parts or arrange the collection of a product in need of servicing or repair.
Tel. Service: (0344) 7360109
E-Mail: boschservicecentre@bosch.com

You can find further service addresses at:

www.bosch-pt.com/serviceaddresses

Transport

The recommended lithium-ion batteries are subject to legislation on the transport of dangerous goods. The user can transport the batteries by road without further requirements.

When the batteries are shipped by third parties (e.g. air transport or forwarding agency), special requirements on packaging and labelling (e.g. ADR regulations) must be met. A dangerous goods expert must be consulted when preparing the items for shipping.

Dispatch battery packs only when the housing is undamaged. Tape or mask off open contacts and pack up the bat-

tery in such a manner that it cannot move around in the packaging. Please also observe the possibility of more detailed national regulations.

Disposal



Power tools, rechargeable batteries, accessories and packaging should be sorted for environmental-friendly recycling.



Do not dispose of power tools and batteries/rechargeable batteries into household waste!

Only for EU countries:

According to the Directive 2012/19/EU on waste electrical and electronic equipment and its transposition into national law, power tools that are no longer usable, and, according to the Directive 2006/66/EC, defective or drained batteries must be collected separately and disposed of in an environmentally correct manner.

If disposed incorrectly, waste electrical and electronic equipment may have harmful effects on the environment and human health, due to the potential presence of hazardous substances.

Only for United Kingdom:

According to The Waste Electrical and Electronic Equipment Regulations 2013 (SI 2013/3113) (as amended) and the Waste Batteries and Accumulators Regulations 2009 (SI 2009/890) (as amended), products that are no longer usable must be collected separately and disposed of in an environmentally friendly manner.




Battery packs/batteries:

Li-ion:

Please observe the notes in the section on transport (see "Transport", page 10).

de	EU-Konformitätserklärung Akku-Kartuschen- Sachnummer presse	Wir erklären in alleiniger Verantwortung, dass die genannten Produkte allen einschlägigen Bestimmungen der nachfolgend aufgeführten Richtlinien und Verordnungen entsprechen und mit folgenden Normen übereinstimmen. Technische Unterlagen bei: *
en	EU Declaration of Conformity Cordless caulking Article number gun	We declare under our sole responsibility that the stated products comply with all applicable provisions of the directives and regulations listed below and are in conformity with the following standards. Technical file at: *
fr	Déclaration de conformité UE Pistolet presse- N° d'article cartouche sans-fil	Nous déclarons sous notre propre responsabilité que les produits décrits sont en conformité avec les directives, règlements normatifs et normes énumérés ci-dessous. Dossier technique auprès de: *
es	Declaración de conformidad UE Pistola para N° de artículo calafatear a acumulador	Declaramos bajo nuestra exclusiva responsabilidad, que los productos nombrados cumplen con todas las disposiciones correspondientes de las Directivas y los Reglamentos mencionados a continuación y están en conformidad con las siguientes normas. Documentos técnicos de: *
pt	Declaração de Conformidade UE Pistola para N.º do produto cartuchos sem fio	Declaramos sob nossa exclusiva responsabilidade que os produtos mencionados cumprem todas as disposições e os regulamentos indicados e estão em conformidade com as seguintes normas. Documentação técnica pertencente à: *
it	Dichiarazione di conformità UE Erogatore a Codice prodotto cartucce a batteria	Dichiariamo sotto la nostra piena responsabilità che i prodotti indicati sono conformi a tutte le disposizioni pertinenti delle Direttive e dei Regolamenti elencati di seguito, nonché alle seguenti Normative. Documentazione Tecnica presso: *
nl	EU-conformiteitsverklaring Accukitpistool Productnummer	Wij verklaren op eigen verantwoordelijkheid dat de genoemde producten voldoen aan alle desbetreffende bepalingen van de hierna genoemde richtlijnen en verordeningen en overeenstemmen met de volgende normen. Technisch dossier bij: *
da	EU-overensstemmelseserklæring Akku-fugepistol Typenummer	Vi erklærer som eneansvarlige, at det beskrevne produkt er i overensstemmelse med alle gældende bestemmelser i følgende direktiver og forordninger og opfylder følgende standarder. Tekniske bilag ved: *
sv	EU-konformitetsförklaring Batteridriven Produktnummer patronpress	Vi förklarar under eget ansvar att de nämnda produkterna uppfyller kraven i alla gällande bestämmelser i de nedan angivna direktiven och förordningarnas och att de stämmer överens med följande normer. Teknisk dokumentation: *
no	EU-samsvarserklæring Batteridrevet Produktnummer tetnings-/ fugepistol	Vi erklærer under eneansvar at de nevnte produktene er i overensstemmelse med alle relevante bestemmelser i direktivene og forordningene nedenfor og med følgende standarder. Teknisk dokumentasjon hos: *
fi	EU-vaatimustenmukaisuusvakuutus Akkupatruunap- Tuotenumero ristin	Vakuutamme täten, että mainitut tuotteet vastaavat kaikkia seuraavien direktiivien ja asetusten asiaankuuluvia vaatimuksia ja ovat seuraavien standardien vaatimusten mukaisia. Tekniset asiakirjat saatavana: *
el	Δήλωση πιστότητας ΕΕ Πιστόλι σιλικόνης Αριθμός ευρετηρίου μπαταρίας	Δηλώνουμε με αποκλειστική μας ευθύνη, ότι τα αναφερόμενα προϊόντα αντιστοιχούν σε όλες τις σχετικές διατάξεις των πιο κάτω αναφερόμενων οδηγιών και κανονισμών και ταυτίζονται με τα ακόλουθα πρότυπα. Τεχνικά έγγραφα στη: *
tr	AB Uygunluk beyanı Akülü kartuş Ürün kodu tabancası	Tek sorumlu olarak, tanımlanan ürünün aşağıdaki yönetmelik ve direktiflerin geçerli bütün hükümlerine ve aşağıdaki standartlara uygun olduğunu beyan ederiz. Teknik belgelerin bulunduğu yer: *

pl	Deklaracja zgodności UE Akumulatorowy pistolet do uszczelniania	Numer katalogowy	Oświadczamy z pełną odpowiedzialnością, że niniejsze produkty odpowiadają wszystkim wymaganiom poniżej wyszczególnionych dyrektyw i rozporządzeń, oraz że są zgodne z następującymi normami. Dokumentacja techniczna: *
cs	EU prohlášení oshodě Akumulátorový lis na kartuše	Objednací číslo	Prohlašujeme na výhradní zodpovědnost, že uvedený výrobek splňuje všechna příslušná ustanovení níže uvedených směrnic anarizení aje vsouladu snásledujícími normami: Technické podklady u: *
sk	EÚ vyhlásenie ozhode Akumulátorový kartušový lis	Vecné číslo	Vyhlasujeme na výhradnú zodpovednosť, že uvedený výrobok spĺňa všetky príslušné ustanovenia nižšie uvedených smerníc anariadení aje vsúlade snásledujúcimi normami: Technické podklady má spoločnosť: *
hu	EU konformitási nyilatkozat Akkumulátoros patron kinyomó pisztoly	Cikkszám	Egyedüli felelősséggel kijelentjük, hogy a megnevezett termékek megfelelnek az alábbiakban felsorolásra kerülő irányelvek és rendeletek valamennyi idevágó előírásainak és megfelelnek a következő szabványoknak. Műszaki dokumentumok megőrzési pontja: *
ru	Заявление о соответствии ЕС Аккумуляторный пистолет для картриджей	Товарный NO	Мы заявляем под нашу единоличную ответственность, что названные продукты соответствуют всем действующим предписаниям нижеуказанных директив и распоряжений, а также нижеуказанных норм. Техническая документация хранится у: *
uk	Заява про відповідність ЄС Акумуляторний пістолет для картриджів	Товарний номер	Мизаявляємо під нашу одноособову відповідальність, що названі вироби відповідають усім чинним положенням нишеозначених директив і розпоряджень, а також нишеозначеним нормам. Технічна документація зберігається у: *
kk	ЕО сәйкестік мағлұдамасы Аккумуляторлық қартридждік пресс	Өнім нөмірі	Өз жауапкершілікпен біз аталған өнімдер төменде жзылған директикалар мен жарлықтардың тиісті қағидаларына сәйкестігін және төмендегі нормаларға сай екенін білдіреміз. Техникалық құжаттар: *
ro	Declarație de conformitate UE Pistol pentru aplicarea cartuşelor, cu acumulator	Număr de identificare	Declarăm pe proprie răspundere că produsele menționate corespund tuturor dispozițiilor relevante ale directivelor și reglementărilor enumerate în cele ce urmează și sunt în conformitate cu următoarele standarde. Documentație tehnică la: *
bg	ЕС декларация за съответствие Акумуляторна патронна преса	Каталожен номер	С пълна отговорност ние декларираме, че посочените продукти отговарят на всички валидни изисквания на директивите и разпоредбите по-долу и съответства на следните стандарти. Техническа документация при: *
mk	EU-Изјава за сообразност Батериски пиштол за силикон	Број на дел/артикл	Со целосна одговорност изјавуваме, дека опишаните производи се во согласност со сите релевантни одредби на следните регулативи и прописи и се во согласност со следните норми. Техничка документација кај: *
sr	EU-izjava o usaglašenosti Akumulatorska presa za patrone	Broj predmeta	Na sopstvenu odgovornost izjavljujemo, da navedeni proizvodi odgovaraju svim dotičnim odredbama naknadno navedenih smernica u uredaba i da su u skladu sa sledećim standardima. Tehnička dokumentacija kod: *
sl	Izjava o skladnosti EU Akumulatorska tesnilna pištola	Številka artikla	Izjavljamo pod izključno odgovornostjo, da je omenjen izdelek v skladu z vsemi relevantnimi določili direktiv in uredb ter ustreza naslednjim standardom. Tehnična dokumentacija pri: *
hr	EU izjava o sukladnosti		Pod punom odgovornošću izjavljujemo da navedeni proizvodi odgovaraju svim relevantnim odredbama direktiva i propisima navedenima u nastavku i

Akumulatorski pištoļi za kartuše	Kataloški br.	da su sukladni sa sljedećim normama. Tehnička dokumentacija se može dobiti kod: *	
et EL-vastavusdeklaratsioon	Tootenumber	Kinnitame ainuvastutatatena, et nimetatud tooted vastavad järgnevalt loetletud direktiivide ja määruste kõikidele asjaomastele nõuetele ja on kooskõlas järgmiste normidega. Tehnilised dokumendid saadaval: *	
iv Deklarācija par atbilstību ES standartiem	Izstrādājuma numurs	Mēs ar pilnu atbildību paziņojam, ka šeit aplūkoti izstrādājumi atbilst visiem tālāk minētajās direktīvās un rīkojumos ietvertajām saistošajām nostādņēm, kā arī sekojošiem standartiem. Tehniskā dokumentācija no: *	
It ES atitikties deklaracija	Gaminio numeris	Atsakingai pareiškiame, kad išvardyti gaminiai atitinka visus privalomus žemiau nurodytų direktyvų ir reglamentų reikalavimus ir šiuos standartus. Techninė dokumentacija saugoma: *	
GCG 18V-600	3 601 JC4 000	2006/42/EC 2014/30/EU 2011/65/EU	EN 62841-1:2015 EN 55014-1:2017+A11:2020 EN 55014-2:2015 EN IEC 63000:2018
		 BOSCH	* Robert Bosch Power Tools GmbH (PT/ECS) 70538 Stuttgart GERMANY
		Henk Becker Chairman of Executive Management 	Helmut Heinzelmann Head of Product Certification 
		Robert Bosch Power Tools GmbH, 70538 Stuttgart, GERMANY Stuttgart, 11.02.2022	

Declaration of Conformity

Cordless caulking gun

GCG 18V-600

Article number

3 601 JC4 000

We declare under our sole responsibility that the stated products comply with all applicable provisions of the regulations listed below and are in conformity with the following standards.

Technical file at: Robert Bosch Ltd. (PT/SOP-GB), Broadwater Park, North Orbital Road, Uxbridge UB9 5HJ, United Kingdom

The Supply of Machinery (Safety) Regulations 2008
The Electromagnetic Compatibility Regulations 2016
The Restriction of the Use of Certain Hazardous Substances in
Electrical and Electronic Equipment Regulations 2012

EN 62841-1: 2015

EN 55014-1:2017+A11:2020

EN 55014-2:2015

EN IEC 63000:2018



Vonjy Rajakoba
Managing Director - Bosch UK

Robert Bosch Power Tools GmbH, 70538 Stuttgart, Germany
represented (in terms of the above regulations) by
Robert Bosch Limited, Broadwater Park, North Orbital Road,
Uxbridge UB9 5HJ, United Kingdom

Martin Sibley
Head of Sales Operations and Aftersales

Robert Bosch Ltd. Broadwater Park, North Orbital Road, Uxbridge UB9 5HJ, United Kingdom, as authorised representative
acting on behalf of Robert Bosch Power Tools GmbH, 70538 Stuttgart, Germany

Place of issue: Uxbridge

Date of issue: 27/05/2021